

# Combi Elevator-2

Height adjustable Bucky table with integrated tube stand and optional with computer servo driven tomography

**Combi  
Elevator-2**

**Combi  
Elevator  
Tomo-2**



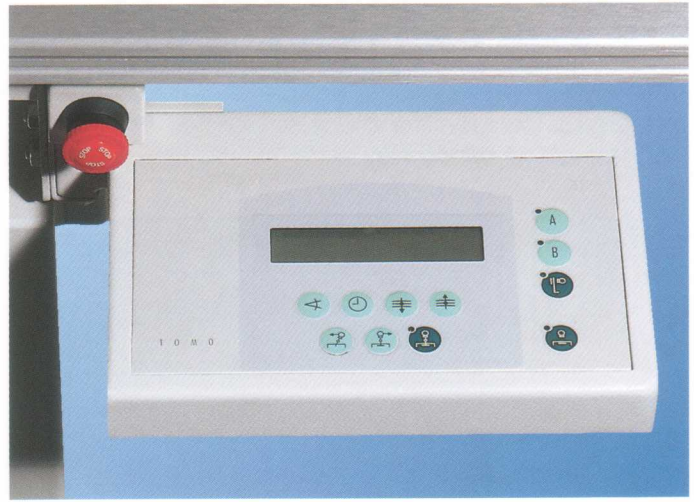


## Combi Elevator Tomo-2

Features a fully integrated, microprocessor controlled linear tomography. There is no obstruction fulcrum tower or any mechanical attachments to contend with. The available tomographic exposures are 40°, 30°, 20° and 8° zonography each with two speed settings. The SID can be selected to any point between 100 cm and 115 cm. Tomographic layer height is adjustable in increments of 1mm from 0 mm to 240 mm.

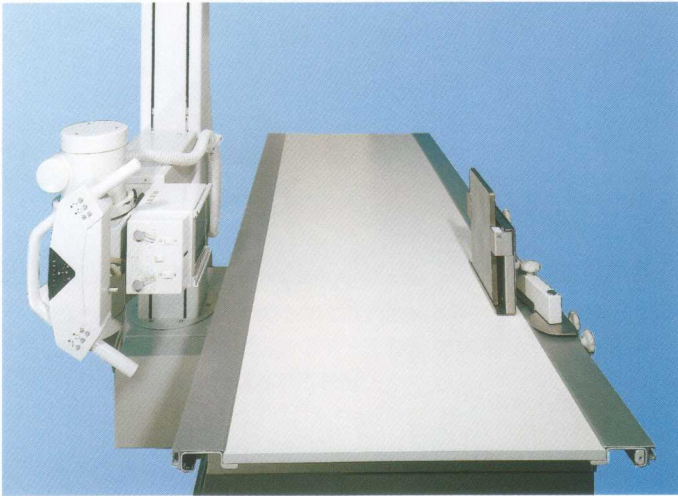
### Easy Operation!

The operator is guided by the intuitive in the control panel. Coupling and uncoupling of the tomograph fulcrum bar and Bucky is no longer needed, all of this is achieved by the precision micro processor controlled servo system. This operator friendly machine makes tomographic examination a pleasure.



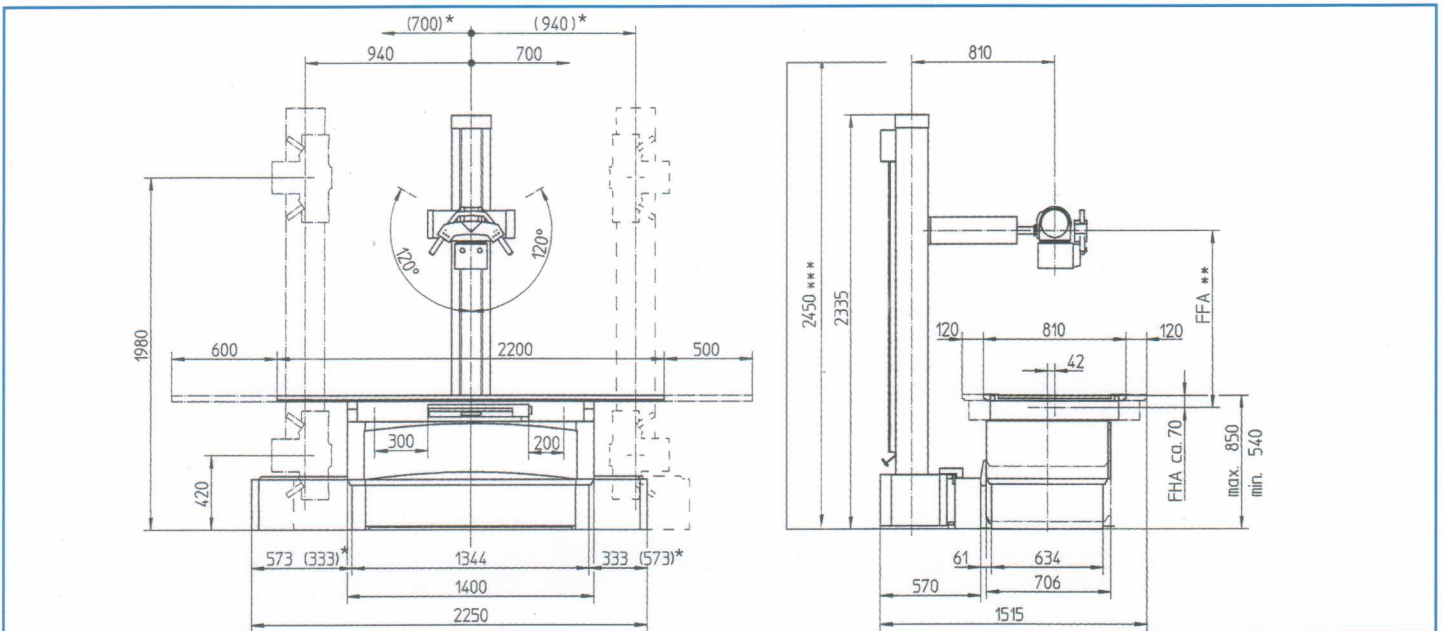
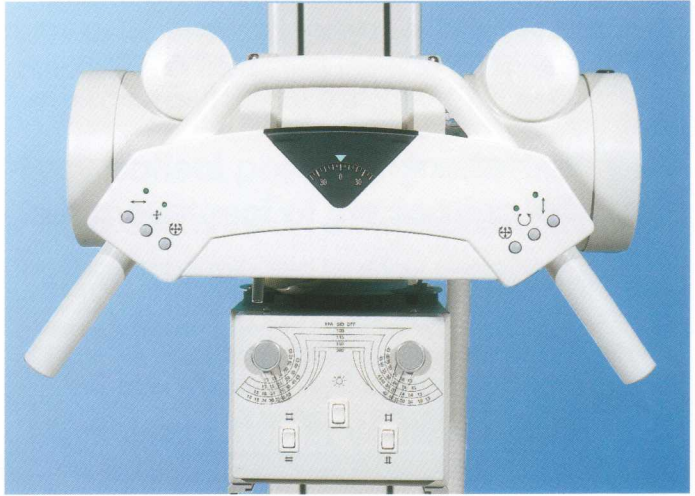
## Lateral exposures made easy

Manipulation and control of the tube stand is made easy by the ergonomically designed controls and hand grip. The tube stand column rotates with ease  $\pm 90^\circ$  for lateral exposures.



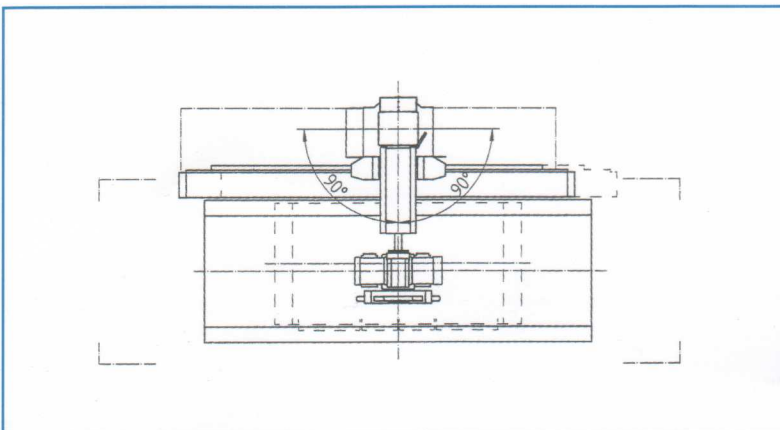
## Conclusion:

The Combi Elevator-2 and the Combi Elevator Tomo-2 are the ideal Bucky tables for all respects of radiology and tomography. Your best choice for any up-to-date health care facility.



\* Installation Wall Bucky Stand right hand side (optional)

\*\* FFA = 1300 max.; 1000 to 1150 for Tomography  
 \*\*\* required room height for installation



## Accessories:

- Patient hand grips
- Patient positioning pad
- Compression device
- Fixtures for
- Head and hip clamps
- Lateral cassette holder
- Tübingen patellar positioning device